

Current Transformer Quick Installation Guide

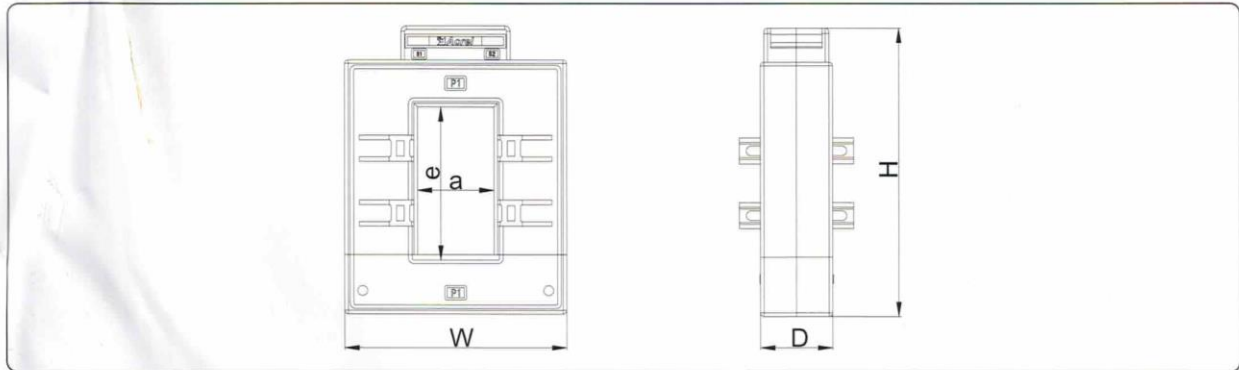
-AKH-0.66K Series Current Transformer

1. Introduction

AKH-0.66K series current transformers have a rated secondary current of 5A which is suitable for the following Solis devices:

- Solis-EPM1-5G
- Solis-EPM3-5G
- Solis-EPM3-5G-Plus

2. Dimension

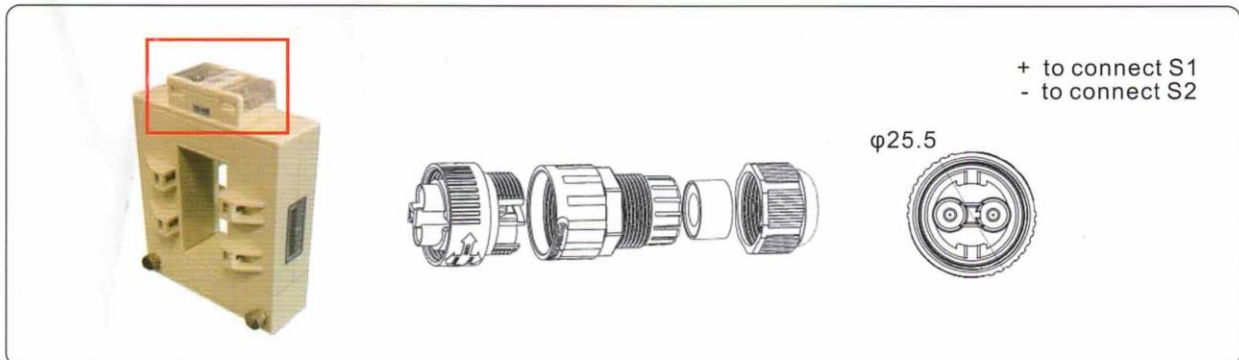


Specification	Dimension (mm)			Hole size (mm)		Ratio
	W	H	D	a	c	
CT-30x20-100A	90	114	40	22	32	100:5A
CT-60x40-300A	114	140	36	42	62	300:5A
CT-80x40-600A	122	162	40	42	82	600:5A
CT-80x40-1000A	122	162	40	42	82	1000:5A
CT-160x80-2000A	184	254	52	82	162	2000:5A
CT-1600x80-3000A	184	254	52	82	162	3000:5A

3. Installation Steps (Secondary Side)

Step1: Prepare two cables with the specification (Cable outer diameter 6.5mm-7.5mm, cross-sectional area 1.5mm²)

Step2: Connect the cables to the top of the current transformer as indicated in the following picture.



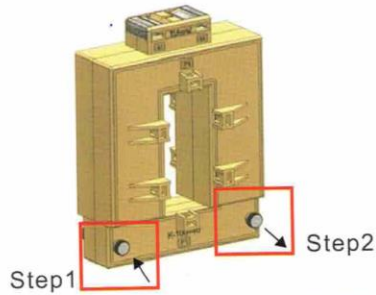
Step3: Connect the other end of the cables to the CT connector provided in the EPM accessory package. S1 connects to + and S2 connects to -.

Step4. Insert the CT connector to the corresponding CT ports on the EPM device.

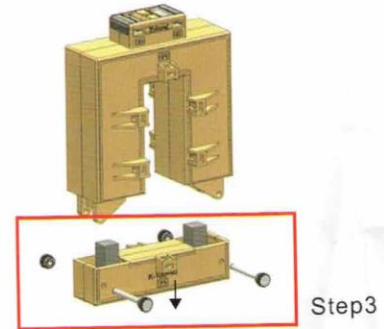
4. Installation Steps (Primary Side)

Step1: Hold the bottom part of the current transformer.

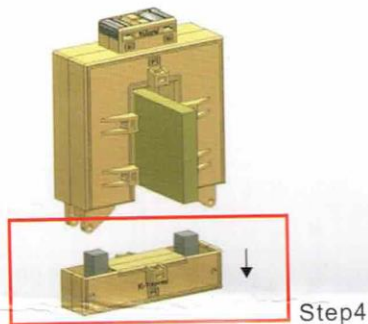
Step2: Loose the two screws at the bottom and pull it out.



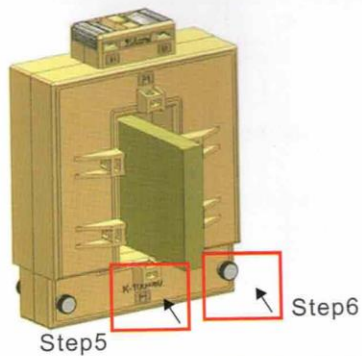
Step3: After the screws are completely pulled out, disassemble the bottom part.



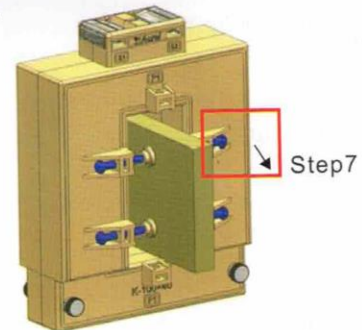
Step4: Place the copper bar at the center or lead the wire through the center and then re-assemble the bottom part.



Step5: Press the bottom following the arrow.
Step6: Insert the screws and fasten them.



Step7: If a copper bar is used, use M5 screws and pressure plate to fasten the copper bar.



Note:



- It is necessary to perform the secondary side installation BEFORE primary side installation.
- If the primary side is an electrical cable, operating with power-on is acceptable.
- If the primary side is a copper bar, operation must be done by experienced electrical workers with good insulation protection.
- During installation, avoid dust entering the iron core. Otherwise, it may affect the performance of the current transformer.
- To match the algorithm of EPM devices, the "P1" must be towards the grid and the "P2" must be towards the inverters. Otherwise, the EPM devices can't operate normally.