

# SUN2000-330KTL-H1

## Smart PV Controller

For APAC, LATAM & EUROPE



Max. Efficiency  
≥ 99.0%



Smart Connector-level  
Detection (SCLD)



Smart Self-cleaning  
Fan (SSCF)



IP66  
Protection



MBUS  
Supported



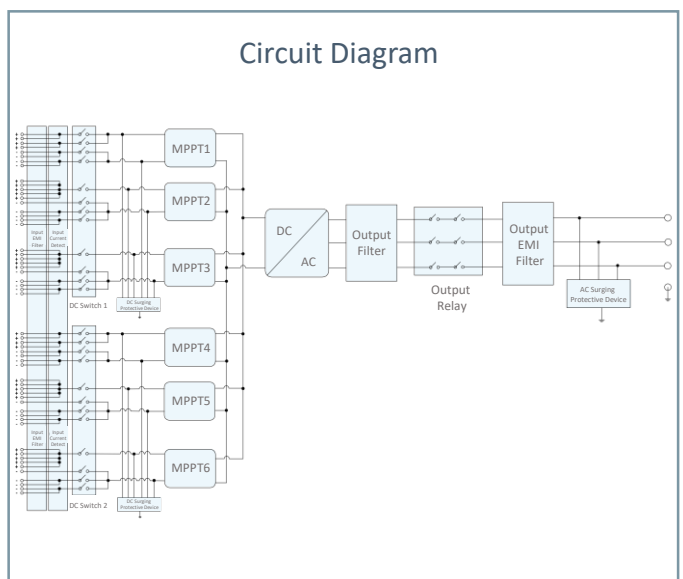
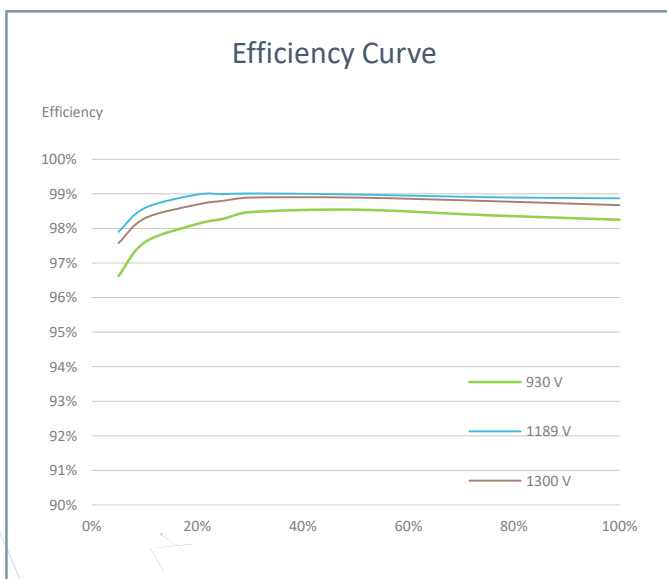
Smart String-level  
Disconnection (SSLD)



Smart IV Curve Diagnosis  
Supported



Surge Arresters for  
DC & AC



# Technical Specifications

Efficiency		
Max. Efficiency		≥ 99.0%
European Efficiency		≥ 98.8%
Input		
Max. Input Voltage		1,500 V
Number of MPP Trackers		6
Max. Current per MPPT		65 A
Max. Short Circuit Current per MPPT		115 A
Max. PV Inputs per MPPT		4/5/5/4/5/5
Start Voltage		550 V
MPPT Operating Voltage Range		500 V ~ 1,500 V
Nominal Input Voltage		1,080 V
Output		
Nominal AC Active Power		300,000 W
Max. AC Apparent Power		330,000 VA
Max. AC Active Power (cosφ=1)		330,000 W
Nominal Output Voltage		800 V, 3W + PE
Rated AC Grid Frequency		50 Hz / 60 Hz
Nominal Output Current		216.6 A
Max. Output Current		238.2 A
Adjustable Power Factor Range		0.8 LG ... 0.8 LD
Total Harmonic Distortion		THD <sub>i</sub> < 1% (Rated)
Protection		
Smart String-level Disconnection (SSLD)		Yes
Smart Connector-level Detection (SCLD)		Yes
AC Overcurrent Protection		Yes
DC Reverse-polarity Protection		Yes
PV-array String Fault Detection		Yes
DC Surge Arrester		Type II
AC Surge Arrester		Type II
DC Insulation Resistance Detection		Yes
Residual Current Detection Unit		Yes
Communication		
Display		LED Indicators, WLAN + APP
USB		Yes
MBUS		Yes
RS485		Yes
General		
Dimensions (W x H x D)		1,048 x 732 x 395 mm
Weight (with mounting plate)		≤ 112 kg
Operating Temperature Range		-25°C ~ 60°C
Cooling Method		Smart Air Cooling
Max. Operating Altitude without Derating		4,000 m
Relative Humidity		0 ~ 100% (Non-condensing)
DC Connector		HH45MM4TMSPA / HH45FM4TMSPA
AC Connector		Support OT / DT Terminal (Max. 400 mm <sup>2</sup> )
Protection Degree		IP 66
Anti-corrosion Protection		C5-Medium
Topology		Transformerless
Standards Compliance		
IEC 62109-1/-2, IEC 62920, IEC 60947-2, EN 50549-2, IEC 61683, etc.		